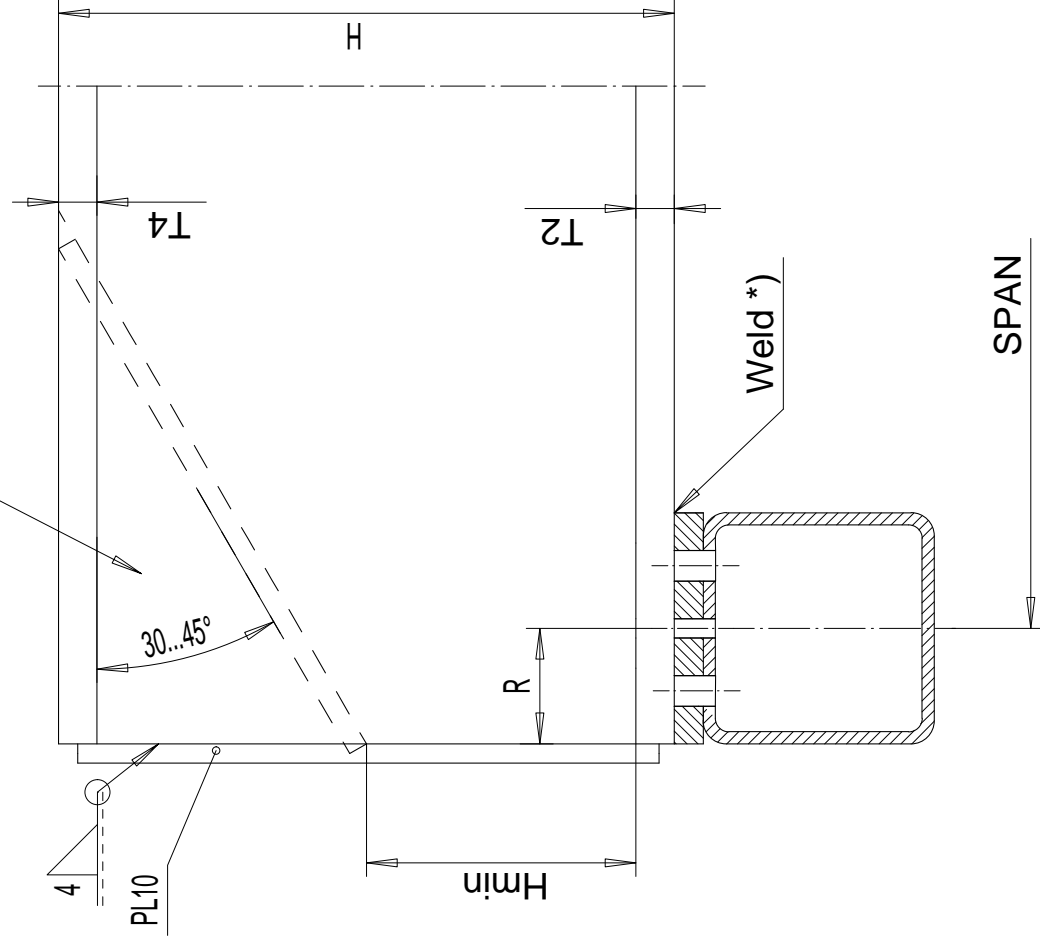
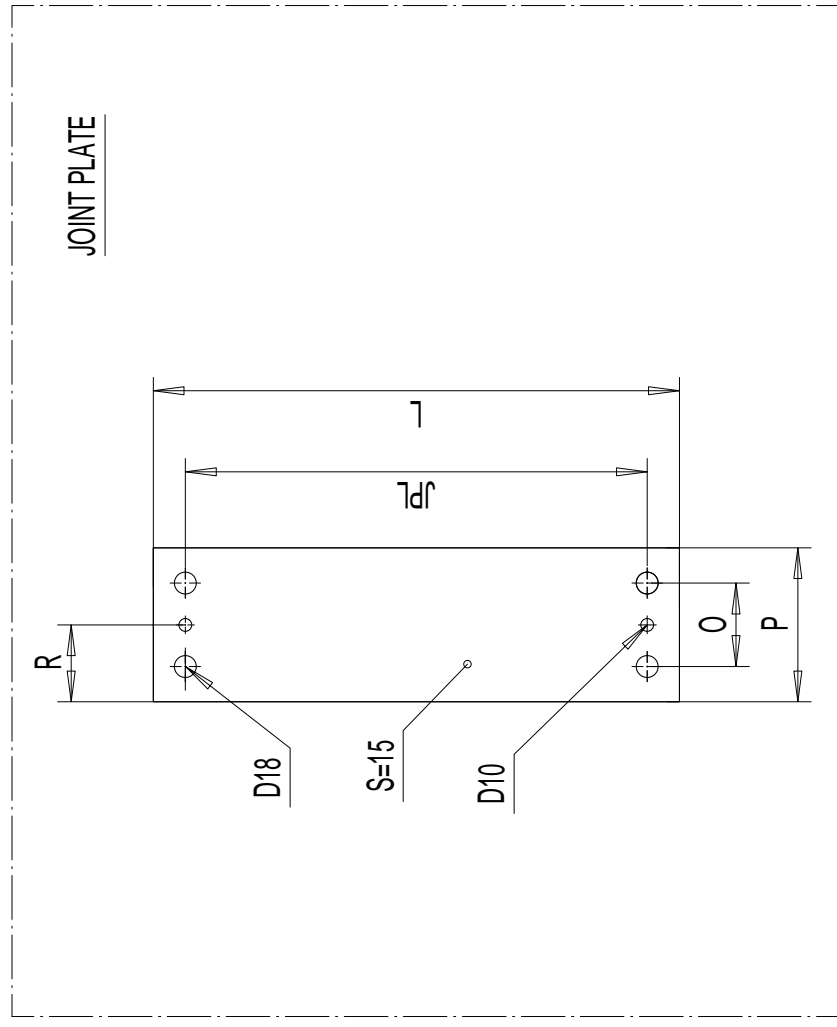


ONLY SINGLE GIRDER BEVEL ALLOWED!

NOTE! $H_{min} > H$ allowed



SECTION A - A



SUITABLE TYPE OF END CARRIAGE	-P3	-P4	-P6
WD09	X	.	.
WD11	.	X	X
WD14	.	X	X

*) Weld size to be checked, min. a_5 \triangle

JOINT PLATE	L	JPL	O	P	R	Bmin	Bmax
P3	410	360	65	120	60	90	310
P4	450	410	70	170	75	90	350
P6	650	600	70	170	75	300	550

WD=WHEEL DIAMETER (dm)

P. Sääksjärvi

Drn

KHH/KSI

Design

Date

MAIN GIRDER JOINT

SINGLE/DOUBLE PROFIL

TOP STANDARD

P-TOP-P_-STD-S